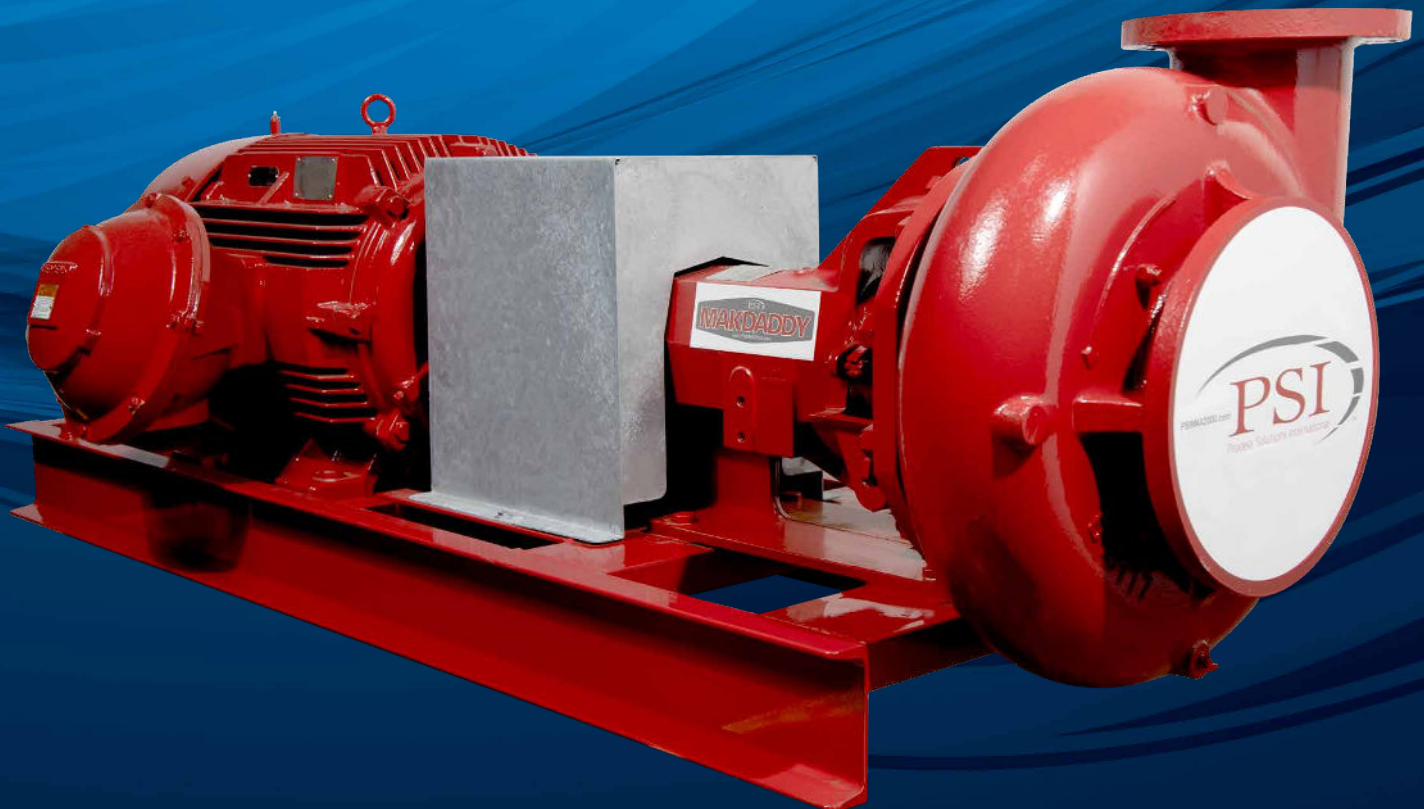


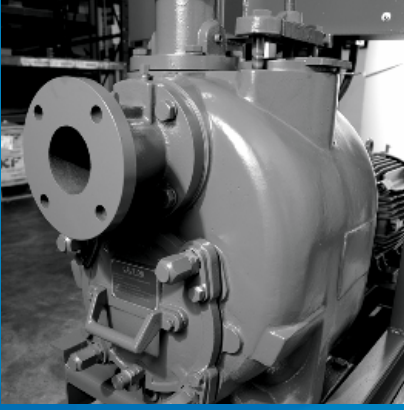


**You've used the rest.
End the quest.**

MAKDADDY

Centrifugal Pumps





***Superior
performance
and durability
at competitive
prices***



The global leader in fluid handling equipment!

Get your fluids in motion with the most reliable pump in the market, the PSI MAKDADDY Centrifugal Pump Line is engineered and designed for the options you need from a company with over 50 years of industry experience. From skids to seals, MAKDADDY has the options.

The MAKDADDY Centrifugal Pump System delivers improved performance, better longevity, and cost savings compared to other centrifugal pumps.



Key Benefits

Fresh Water - Sea Water - Drilling Mud

Delivers improved performance, better longevity, and cost savings compared to other centrifugal pumps.

Parts are completely interchangeable with other pumps currently on the market.

Open vane impellers designed to reduce turbulence, eliminate recirculation, lower

radial and thrust load while providing a smoother flow of fluid throughout the pump.

Guaranteed performance from a global company.



**Responses to most inquiries within 24 hours.
Same-day shipping for parts in stock.**



CORPORATE OFFICE 281-893-4774 | psimax2000.com

MAKDADDY Centrifugal Pumps

Features

- Ductile iron replaceable casing wear pad
- Fully open impeller
- Grease lubricated premium bearings
- Stainless steel or ceramic coated shaft sleeves
- Single or double mechanical seal options
- Labyrinth bearing seals
- Casing jack bolts for easy removal
- Thicker, stronger concentric casing
- Replaceable stuffing box cover

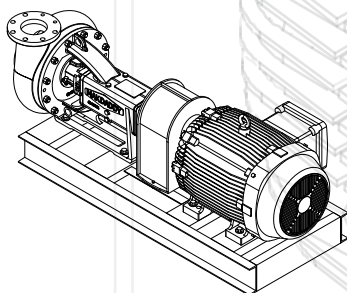


Sizes and Options

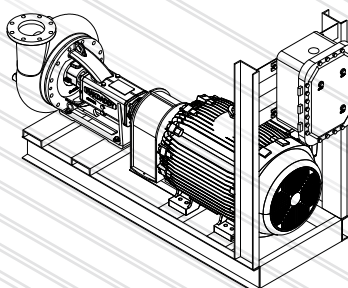
- Pump series: 118 & 250
- Pump sizes: 3 x 2 x 13 to 8 x 6 x 14
- Electric, diesel, and hydraulic motor options
- Optional Pedestal safety guards
- Horizontal, space saver, and vertical skid options
- Shorten pedestal option for space saving
- Closed coupled pumps



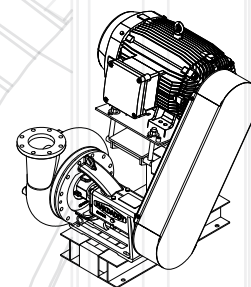
Skid Options:



Standard Inline



Inline with Starter

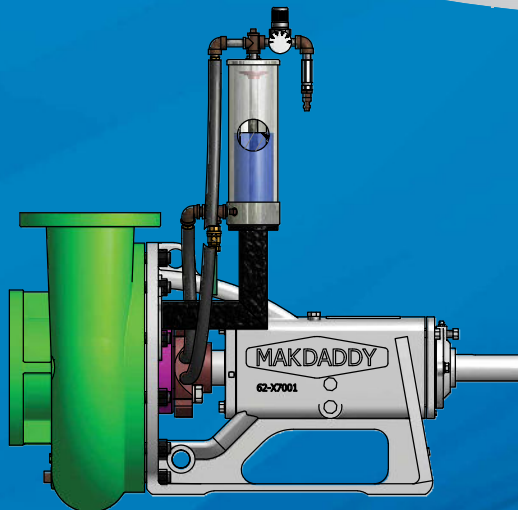
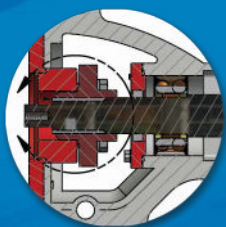


Over-Under Space Saver

MAKDADDY Double Mechanical Seal

MAKDADDY

Centrifugal Pumps



With the MAKDADDY, strict attention to design details, computerized modeling, quality materials and the use of state of the art manufacturing methods give our pumps and their replacement parts superior durability and performance.

The MAKDADDY Double Mechanical Seal has been designed for high-performance sealing solutions for the toughest edge manufacturing techniques by PSI, this combination of quality represents the best solution available in the market.



MAKDADDY's ANSI / API Plan 52/53 mechanical seal pot systems for industrial, gas, and oil applications. Provides a protective buffer between the product and the atmosphere, and isolate products being pumped from the atmosphere. As a safety measure, seal pots perform a vital duty protecting the environment and humans from the dangers of hazardous materials.

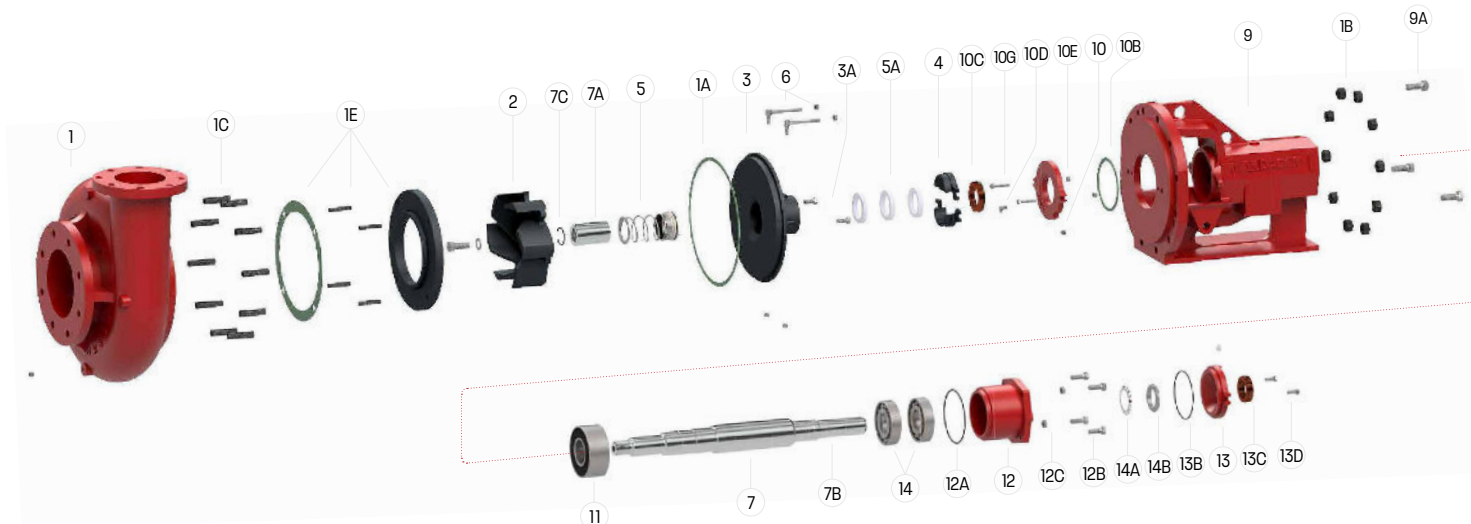
MAKDADDY

Centrifugal Pumps



PARTS - MAKDADDY Centrifugal Pumps

Same-day shipping for parts in stock.



ITEM	PART #	NAME	QTY	ITEM	PART #	NAME	QTY
1A-E	B19203-01-30A	3 x 2 x 13 Casing	1	10C	B20619-01	Oil Seal Inboard Brg. Cap	1
1A-E	B19205-01-30A	4 x 3 x 13 Casing	1	10C Alt.	B2564-4	Labyrinth Seal Inboard Brg. Cover	1
1A-E	B19222-01-30A	5 x 4 x 14 Casing	1	10D	B3861-1	Bolt Inboard Brg. Cover	2
1A-E	B19122-01-30A	6 x 5 x 11 Casing	1	10E	3932-2	Nut Inboard Brg. Cover	2
1A-E	B19123-01-30A	6 x 5 x 14 Casing	1	10F	B20620-01	Exclusion Seal Inboard Brg. Cover	1
1A-E	B19117-01-30A	8 x 6 x 14 Casing	1	10G	B58801	Grease Fitting	3
2	B19204-90-30A	3 x 2 x 13 Impeller	1	11	B20615-1	Bearing Inboard	1
2	B19206-01-30A	4 x 3 x 13 Impeller	1	12	B20624-01-01	Bearing Housing	1
2	B19224-A0-30A	5 x 4 x 14 Impeller	1	12A	B7496-253	Seal Bearing Housing	1
2	B19121-70-30A	6 x 5 x 11 Impeller	1	12B	B3861-138	Bolt, Bearing Housing	4
2	B19121-A0-30A	6 x 5 x 14 Impeller	1	12C	B3932-62	Nut, Bearing Housing	2
2	B19116-A0-30A	8 x 6 x 14 Impeller	1	13	B20617	Outboard Brg. Cover	1
1A	B10399-46-1	Casing Gasket	1	13B	B7496-26	Seal, Outboard Brg. Cover	1
1B	B3932-61	Nut, Casing	12	13C	B20619-02	Oil Seal Outboard Brg. Cover	1
1C	B3862-76	Stud, Casing	12	13C Alt.	B2564-3	Labyrinth Seal Outboard Brg. Cover	1
2A	B19110-72	Impeller Seal	1	13D	B3861-139	Bolt Outboard Brg. Cover	2
3	B22223-01-30	Stuffing Box MS	1	14	B20616-1	Outboard Bearing	2
3	B20614-01-30	Stuffing Box PA	1	14A	B6124-4	Bearing Lockwasher	1
3A	B3861-117	Bolt, Stuffing Box	2	14B	B6123-4	Bearing Locknut	1
4	B20622A	Gland Assembly	1				
5	B22451-1A	Tungsten Carbide Mechanical Seal	1				
5B	B25014-04M-B	Graphite Pkg 6 Rings / Lantern Ring	1				
5B	B250147-04M-D	Teflon Pkg 6 Rings w/Lantern Ring	1				
5A	B25014-B-3	Graphite Pkg 3 Rings Back-Up	1				
5A	B2537-24	Teflong Pkg 3 Rings Back-Up	1				
6	B3701A	Gland Bolt Assembly	2				
7	B20612-02-33	Shaft	1				
2A, 7A, 7C	B20613-21G-7A	Ceramic Shaft Sleeve	1				
2A, 7A, 7C	B20943-21A	Shaft Sleeve 416SS	1				
7B	B4372-5-21	Key Coupling	1				
7C	B7496-236	Shaft Sleeve Seal	1				
8	B22210-1A	Water Slinger	1				
9	B20618-12-1	Frame	1				
9A	B2538-1	Jack Bolts	3				
9D	B8267-01	Breather	1				
10	B20626	Inboard Brg. Cover	1				
10B	B20625	Gasket Inboard Brg. Cover	1				

WEAR PADS			
1E	B2503-01-30A	6 x 5 x 11 Wear Pad	1
1E	B2504-01-30A	6 x 5 x 14 Wear Pad	1
1E	B2505-01-30A	8 x 6 x 11 Wear Pad	1
1E	B2506-01-30A	8 x 6 x 14 Wear Pad	1

KITS			
1A, 2A, 7C	B10399-46-1A	Fluid End Gasket Kit	1
10B, 12A, 13B	B20625A	Power End Gasket Kit	1
10C, 10F, 13C	B20619A	Grease Seal Kit	1
14A, 14B	B6123A	Bearing Locknut Kit	1
7, 7B, 11-14B	B20612-A	Shaft Assembly	1