



# Process Solutions International™

No matter the processing problem, PSI has the solution.

## Shaker Screen Cleaner



### Key Benefits -

- Safe for the environment and your personnel
- Reduce fluid usage
- Increase screen life
- Accepts all screen sizes
- Exterior wash-down gun



### Features -

- Either pneumatically or electrically driven
- Two distinct circuits — for water or base oil
- Reclaims fluids and solids
- Fully enclosed — protects personnel and worksite environment
- Accepts all shaker screen types
- Reduces fluid usage over conventional wash-down gun
- Operates at 3000psi - 4.5 gpm
- Multiple jet nozzles — ensures screen is cleaned in 2 passes (approximately 1 minute)
- Handheld wand can be connected for use as regular rig wash-down gun
- Explosion proof electrics — class I Div I

Our easy to use shaker screen cleaners are designed to keep screens operating at maximum levels by ensuring they get thorough wash downs, thus minimizing premature failure. PSI's one-man system cleans screens in a fully enclosed container, providing full protection for workers and a cost-saving reduction on workers' time management.



For more information on our products, Please contact us at 7519 Prairie Oak Drive Houston, TX 77086  
Local 281-893-4774 | (866) 866-4PSI (4774) | Fax 281-893-1027 [www.PSIMAX2000.com](http://www.PSIMAX2000.com)



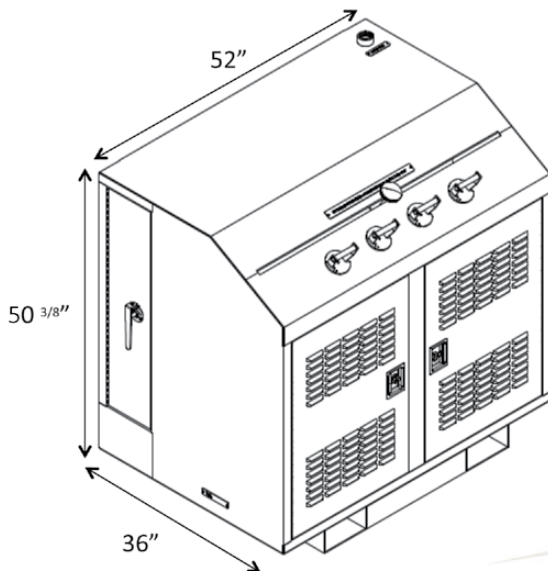
## Shaker Screen Cleaner

### Problem Solving-

With the use of increasingly finer wire cloth in today's drilling environment, the importance and cost control of screen optimization and cleaning maintenance has never been higher. The only effective method of cleaning shaker screens is with the use of a high pressure wash-down gun, which can cause additional issues for personnel and the work environment, particularly when drilling oil-based mud. In answering these issues, PSI introduced the Shaker Screen Cleaner, a fully enclosed system designed to clean shaker screens as effectively as possible while using the minimum amount of cleaning medium (water or base oil). Wash Fluid and Waste are fully contained and reclaimed for re-cycle or re-use thus creating a clean work environment.



Exterior Wash-Down Gun pressure can be manually regulated to suit the task at hand and to ensure personnel safety.



### Utility Requirements -

- Rig Air – 90psi 19 CFM
- Electric – All motor voltages available
- Fresh Water Inlet – 3/4" 4.5 GPM
- Base Oil Inlet – 3/4" 4.5 GPM

In short, PSI shaker screen cleaners maintain screens in optimal condition and free up workers' time. They use less water or base oil, reclaim fluids and solids, and protect work crew from mud and chemicals, thereby reducing the amount of waste needing disposal and minimizing the environmental impact of that waste.