



# Process Solutions International™

No matter the processing problem, PSI has the solution.

## MAX2000® Bug Blaster



PSI Bug Blaster helps disperse stale air and bothersome insects away from rig equipment and personnel. Engineered to meet all OSHA specifications and constructed to ensure dependable performance.

### Key Benefits -

- 36", 48", and 54" available
- Direct drive fan for easy installation and maintenance
- Steel housing for durability
- The grill is OSHA compliant and rust resistant
- Displaces 15000 to 40000 CFM depending on size

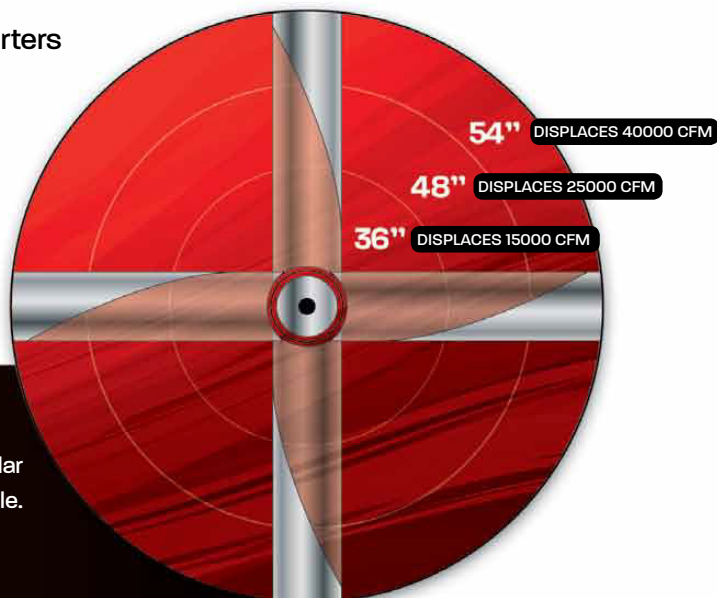
### Features -

- Rigid bolt or weld down frame
- Low dB rating
- Explosion proof electric motors and starters
- Aluminum blade material
- Free standing or wall mount available

 **MAX2000®**  
The Exclusive Line of PSI



PSI offers a trio of Bug Blaster sizes suited for your particular application: 36" - 48" - 54" sizes available.



For more information on our products, Please contact us at 7519 Prairie Oak Drive Houston, TX 77086  
Local 281-893-4774 | (866) 866-4PSI (4774) | Fax 281-893-1027 [www.PSIMAX2000.com](http://www.PSIMAX2000.com)



## MAX2000® Bug Blaster



### Problem Solving-

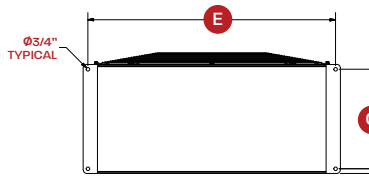
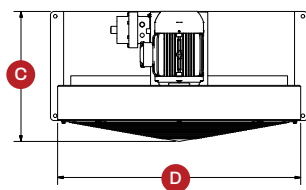
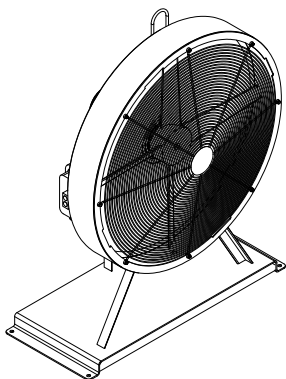
Eliminate bugs with the powerful wind generated by PSI's Bug Blaster — an industrial, heavy-duty fan that moves air rapidly and competently. The Bug Blaster is perfect for ventilating and cooling equipment and personnel, and it can move hazardous gases out the door in a snap. Choose PSI red or the paint color of your choice. Comes in 3 sizes (36", 48" & 54").



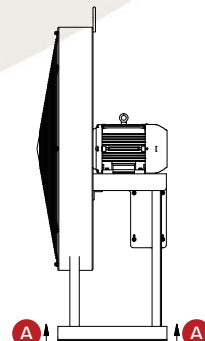
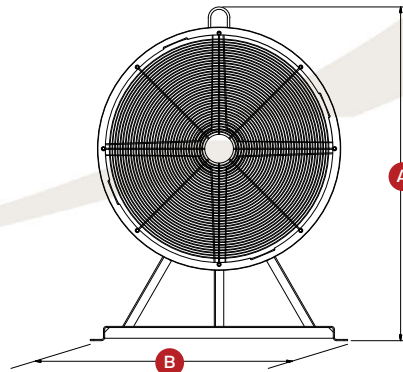
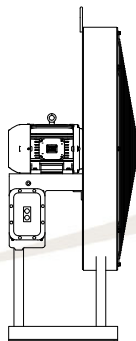
Each unit is OSHA compliant for personal safety and in hazardous areas. Explosion proof electric motors with prewired starters, units are available in a number of voltages and class/division levels.



### DETAILS DIMENSIONS / PERSPECTIVE / FRONT / SIDES / TOP / BOTTOM



	36" (IN)	36" (mm)	48" (IN)	48" (mm)	54" (IN)	54" (mm)
A	59 1/2	1511	70	1778	72	1829
B	45 7/8	1166	53 15/16	1370	54	1372
C	22 9/16	573	27 1/4	692	34 5/16	871
D	38	965	51	1295	56 7/8	1445
E	43 7/8	1115	51 15/16	1320	52	1321
F	2	51	1	25	1	25
G	14 7/8	378	20 7/8	530	25 5/8	651
HP	3	3	5	5	5	5
LB	410	410	560	560	1170	1170
kG	187	187	255	255	532	532



In short, our Bug Blaster will drive out any unpleasant thing in the vicinity, be that heat, bugs or fumes. It is reliable and low-maintenance, saving you on repair costs and employee satisfaction.