

Hydrocyclone Desilter

PSI hydrocyclone units deliver efficient, economical and dependable services for separation of solid-phase particles in the drilling fluid. Built on a easily moved skid, the units include mud trough, manifold, polyurethane hydrocyclones, pressure gauge and all necessary connections.

Key Benefits -

- Removes silt size from 15 to 20 microns
- Victaulic connections for quick easy maintenance
- Process 50 to 80 gallons per minute per cone depending on size
- Adjustable apex to optimize cut point
- Recommended minimum 75 ft of head at the manifold
- Clamp design for easy break-down for cleaning
- Economical, long lasting



Features -

- 4" and 5" hydrocyclone desilter cones available
- Rugged 95 Shore A durometer polyurethane construction
- High resistant to heat and abrasion
- Inline or round header
- 8 to 24 cone header options
- Optional ceramic insert available
- Pressure gauge

Designed with no problematic moving parts to jam or wear and featuring exceptional resistance to heat and abrasion, the units offer an economical, long-lasting alternative to older, less efficient designs. Two sizes, both 4" and 5" allow you to better match the equipment to specific job requirements.

Hydrocyclone Desilter

Problem Solving-

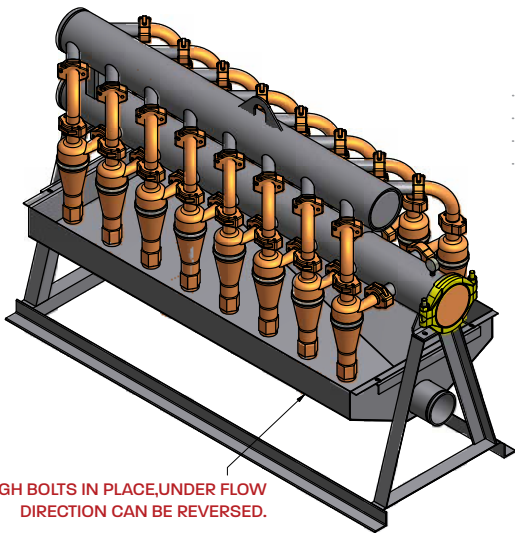
At the recommended minimum 75 feet of head, each 4" cone will handle 60 gpm and remove silt-size solids (15-20 microns) from drilling fluids. Each 5" desilter cone handles flow rates up to 80 gpm.

Installation on standard manifolds is fast and easy using the simple grooved 2" Victaulic connections at the inlet and discharge flanges. The bottom cone and discharge assembly are easily removed for cleaning or replacement. A special ceramic insert is available for extreme-duty applications.

NOTE:

PSI's round 16 & 20 cone desilter manifold can be used in conjunction with a dual or triple desander manifold to create a "Mud Cleaner" that is adaptable to most shale shakers models on the market – both as retrofits and new builds.

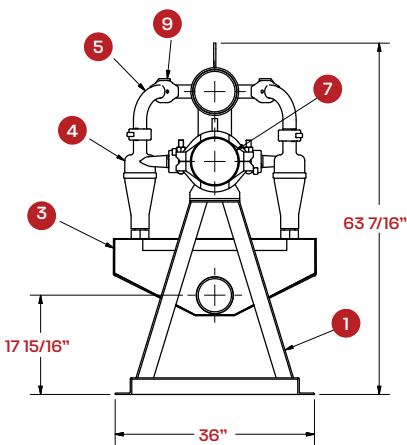
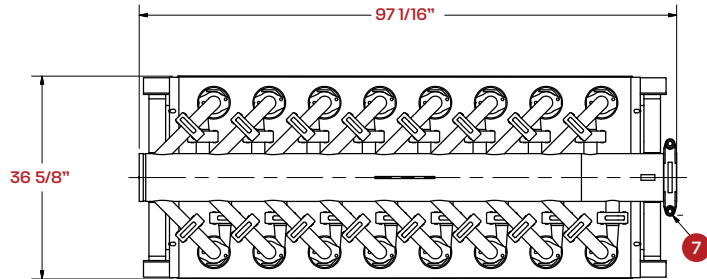
DETAILS ISOMETRIC / PARTS DESCRIPTION / FRONT / SIDES



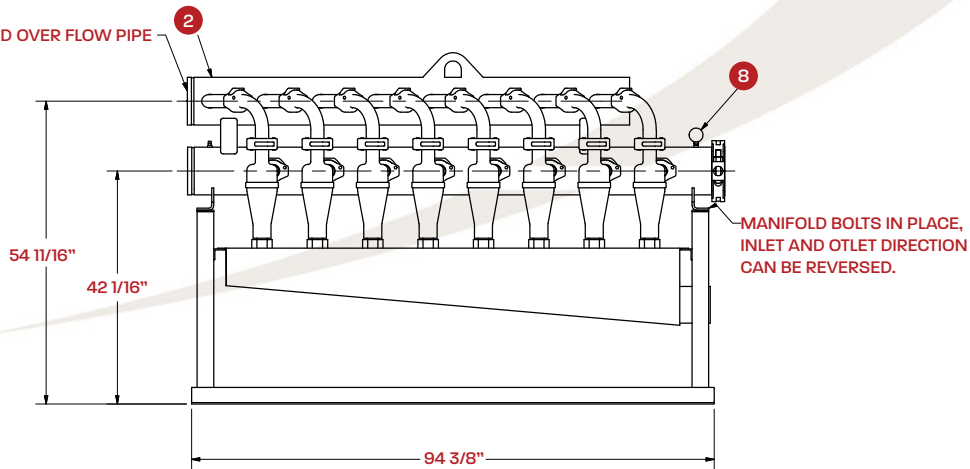
TROUGH BOLTS IN PLACE, UNDER FLOW DIRECTION CAN BE REVERSED.

Hydrocyclone Desilter Parts

| DWG | DESCRIPTION | DWG | DESCRIPTION | DWG | DESCRIPTION |
|-----|----------------------------------|-----|------------------------|-----|--------------------------------|
| 1 | Weldment, 16-4 Desilter Skid | 4 | Cone, 4" Polyurethane | 7 | Clamp, 8" Victaulic Type |
| 2 | Weldment, 16-4 Manifold | 5 | Elbow, 2" Polyurethane | 8 | Pressure Gauge |
| 3 | Weldment, 16-4 Under Flow Trough | 6 | Cap, 8" VIC Blind | 9 | Clamp, 2" Victaulic Type Hinge |



8" FEED AND OVER FLOW PIPE -



MANIFOLD BOLTS IN PLACE, INLET AND OUTLET DIRECTION CAN BE REVERSED.

In short, for easy installation and maintenance, long-wearing durability and dependable performance makes the PSI 4" & 5" Hydrocyclone Desilters the ideal solution for tough mud-handling projects.