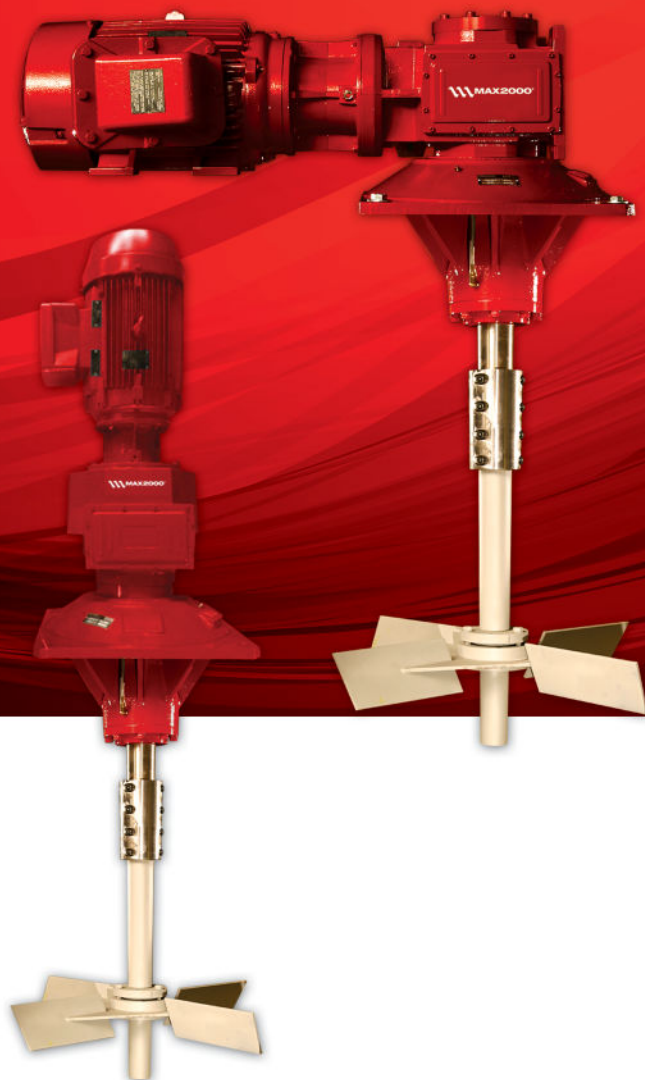


MAX2000® Agitators

ISO 9001:2008

UL / ATEX



Key Benefits -

- Up to 55 kw / 75 hp available
- Helical bevel geared right Angle or vertical mount agitators
- Quiet, 95% efficient power transfer, and low operating temperature
- Small foot print
- Rugged drop bearing design extends gearbox life
- C-face motor input eliminates troublesome couplings and prevents misalignment



MAX2000®
The Exclusive Line of PSI

Impellers are sized according to tank volume and expected duty with optimal mixing lowering mud cost.



Flat Blade impellers have a radial flow.



Hydrofoil blade impellers have an axial flow.*



Canted blade impellers have a radial/axial flow.*

*PSI offers hydrofoil or canted impellers in carbon or stainless steel.

Right- and Vertical-Angled Agitators

Features -

- The MAX2000® Agitator features a rugged cast iron gear box that houses helical bevel gearing.
- A unique feature of the MAX2000® Agitator is the drop bearing, which can be maintained from the top of the tank.
- Right angle drives have a 3 gear reduction which produce less backlash.
- Vertical mounted drives have a 2 gear reduction which reduces vibrations.
- Gearbox sight glass allows operator to visually inspect gearbox lubrication.

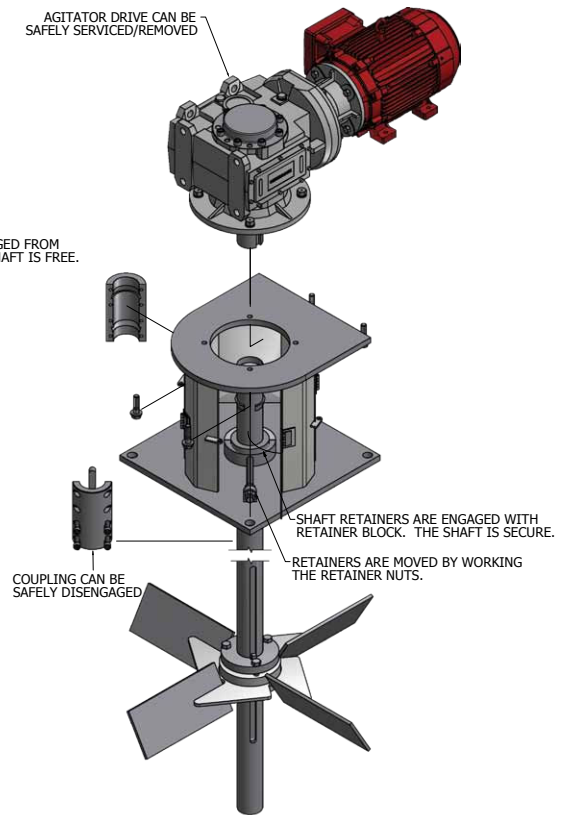
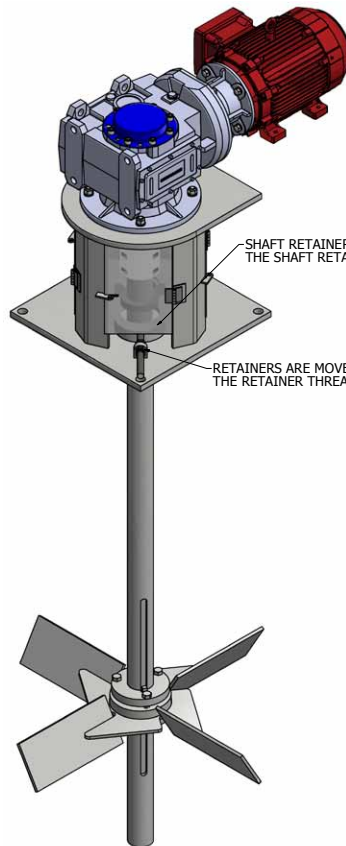
MAX2000® Agitators

PSI Shaft Holder with Removable Gearbox

Personnel safety has always been at the forefront of a maintaining a healthy work environment, and having personnel enter the mud tank can now be avoided thanks to PSI's new agitator shaft holder. This base allows for removal of the gearbox without disassembling the agitator shaft and impeller.

Special Feature!

Having the ability to remove the gearbox so easily contributes to a safer, time and energy efficient method of doing maintenance and part replacement.



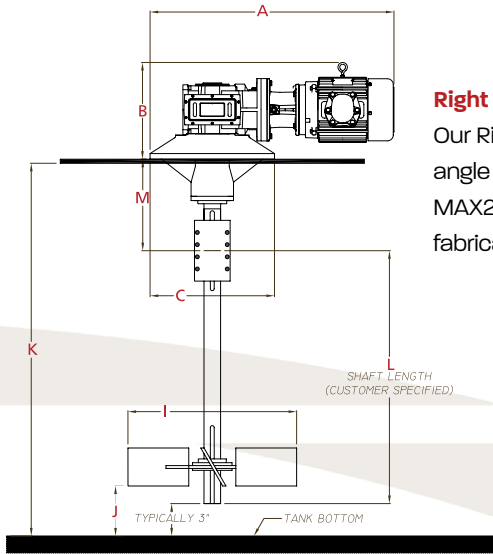
Our shaft to shaft coupling has proven itself to be one of the strongest and most reliable in the industry.



Bottom Shaft Stabilizers reduce lower shaft movement and increases gearbox life.

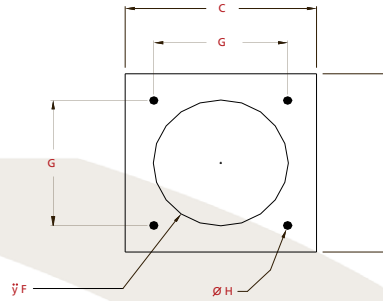
- Teflon insert stabilizers extend life of stabilizer.
- Pipe stabilizers offer a reduced cost option.





Right Angle Agitators...

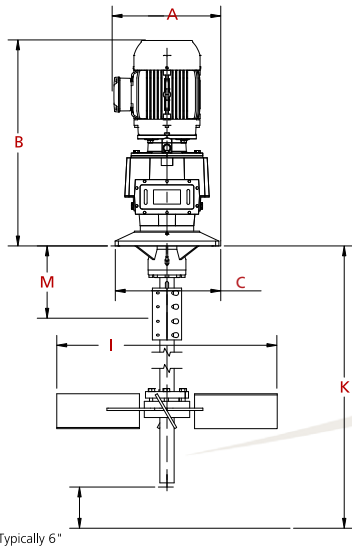
Our Right Angle Agitators are derived from original, industry-standard right angle agitators. Due to the strength of the casting, you can secure a MAX2000® Right Angle Agitator directly to the tank structure without a fabricated base, which allows for a more compact installation.



MODELS	A	B	C	D	F	G	H	I	J	K	L	M
M2A3-C	32-3/4"	13-9/16"	16"	16"	14"	14"	7/8"	24"			K-M-6	10-1/2"
M2A5-C	34-3/8"	13-9/16"	16"	16"	14"	14"	7/8"	28"			K-M-6	10-1/2"
M2A7-C	38-1/16"	11-11/16"	16"	16"	14"	14"	7/8"	32"			K-M-6	10-1/2"
M2A10-C	38-1/16"	11-11/16"	16"	16"	14"	14"	7/8"	32"	SEE NOTE 1	SEE NOTE 2	K-M-6	10-1/2"
M2A15-C	48-1/2"	15-11/16"	22"	22"	18-1/2"	19"	1-1/8"	40"			K-M-6	15-1/2"
M2A20-C	49-9/16"	16-15/16"	22"	22"	18-1/2"	19"	1-1/8"	44"			K-M-6	15-1/2"
M2A25-C	52-1/16"	18-1/2"	22"	22"	18-1/2"	19"	1-1/8"	48"			K-M-6	15-1/2"

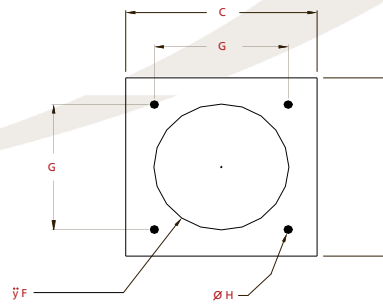
Note 1—Recommended height for impeller blades is .75 x Impeller Diameter (off bottom of tank)

Note 2—Measured from top of structure supporting agitator to tank bottom



Vertical Agitators...

The MAX2000® Vertical Agitators share many of the features of our Right Angle Agitators, but are designed for use when there is a horizontal space limitation. Depending on the size you need, you can save between 12" to 24" in horizontal space.



MODELS	A	B	C	D	F	G	H	I	J	K	L	M
M2A05V	17"	31-5/8"	16"	16"		14"	7/8"	32"			K-M-6	10-1/2"
M2A07V	17"	31-11/16"	16"	16"		14"	7/8"	34"			K-M-6	10-1/2"
M2A10V	17-1/4"	32-15/16"	16"	16"		14"	7/8"	36"			K-M-6	15-1/2"
M2A15V	22"	41-3/16"	22"	22"		19"	1-1/8"	40"	SEE NOTE 1	SEE NOTE 2	K-M-6	15-1/2"
M2A20V	22"	42-7/8"	22"	22"		19"	1-1/8"	44"			K-M-6	15-1/2"
M2A25V	22"	47-7/16"	22"	22"		19"	1-1/8"	48"			K-M-6	15-1/2"
MSA30V	22"	48-15/16"	22"	22"		19"	1-1/8"	52"			K-M-6	15-1/2"

Note 1—Recommended height for impeller blades is .75 x Impeller Diameter (off bottom of tank)

Note 2—Measured from top of structure supporting agitator to tank bottom



Process Solutions International™

No matter the processing problem, PSI has the solution.



Toll-Free (866) 866-4PSI WWW.PSIMAX2000.COM

Download our full line of
INSTALLATION, OPERATION, & MAINTENANCE MANUALS
at www.psimax2000.com



In short, PSI's agitators are customized to fit perfectly with your drilling project. Its blade impellers, the vertical and horizontal versions that work with space limitations, the shaft holder with removable gearbox (that are the strongest and most reliable in the industry), and PSI's high-level protection of its gearboxes minimizes deterioration of equipment, protects work crew, and consumes less power.